

6.9 cu. ft. Gas Double Oven Range



- ProBake® Convection
- EasyClean® + Self Clean
- 18.5k BTU Power Burner
- Glass Touch Controls
- Double Oven
- 6.9 cu. ft. Large Capacity
- SmartDiagnosis™



COLOR AVAILABILITY

- LDG4313ST – Stainless Steel

CAPACITY

Oven Capacity	6.9 cu. ft.
Upper Oven Capacity	2.6 cu. ft.
Lower Oven Capacity	4.3 cu. ft.

OVEN FEATURES

Convection System	ProBake® Convection (Lower Oven Only)
Oven Cooking Modes	Upper: Bake, Broil, Delay Bake, Delay Clean, Warm, Pizza Lower: Bake, Convection Bake, Convection Roast, Multi-Rack Convection Baking, Delay Bake, Delay Clean, Proof, Warm, Pizza
Air Sous Vide	No
Built-in Air Fry	No
Temperature Probe	No
Oven Racks	2 Standard, 1 Offset
Number of Rack Positions	Upper: 2; Lower: 4
Broil Element (BTU, NG / LP)	Upper: 14,500 / 12,500
Convection (BTU, NG / LP)	Lower: 14,000 / 12,000
Bake Element (BTU, NG / LP)	Upper: 14,500 / 12,000
Convection Conversion	Yes (Lower Oven Only)
EasyClean®	Yes
Self Clean	Yes
GoCook Smart Oven Light	Yes (1)
Door Lock	Yes
Automatic Safety Shut-Off	After 12 Hours

COOKTOP FEATURES

Cooktop Type	Sealed
Number of Burners	5
Burner BTU (NG / LP)	
Left Front	12,000 / 10,000
Left Rear	9,100 / 9,100
Center	10,000 / 10,000 (Oval)
Right Front	18,500 / 12,500 (UltraHeat™)
Right Rear	5,000 / 5,000
Cooktop Burner Grate Material	Cast Iron
Continuous Grates	Yes

CONTROLS

Cooktop Control Type	Front Tilt-Control Knobs (Weighted)
Oven Control Type	Glass Touch
Display	VFD (White)
Language	English
Kitchen Timer	Yes
Timed Cook	Yes
Clock	12 Hr or 24 Hr (Option)
Temperature Unit of Measure	°F or °C
Cooking Complete Reminder Volume	High, Low, Off
Oven Control Lock	Yes

CONVENIENCE

ADA Compliant	No
Sabbath Mode	No

SMART FEATURES

Wi-Fi Enabled	No
ThinQ® Technology	No
SmartDiagnosis™	Yes
NFC Tag On	Yes

FINISHES AND APPEARANCE

Fingerprint & Smudge Resistant Exterior	No
Cooktop Finish	Black Porcelain Enamel
Handle / Knobs	Stainless Steel Appearance
Oven Door Feature	WideView™ Window

TECHNICAL SPECS

Fuel Type	NG / LP
Required Power Supply	120V, 60Hz
Minimum Circuit Rating	15 Amp
Power Cord Type	3-Prong, Attached to Unit
Power Outlet Location	See Installation Diagram
Gas Supply Location	See Installation Diagram

INCLUDED ACCESSORIES

2 Standard Racks, 1 Offset Rack, LP Conversion Kit

OPTIONAL ACCESSORIES

Slide-in Range Filler Kit (Side Gaps) LSFL301S

DIMENSIONS / CLEARANCES / WEIGHTS

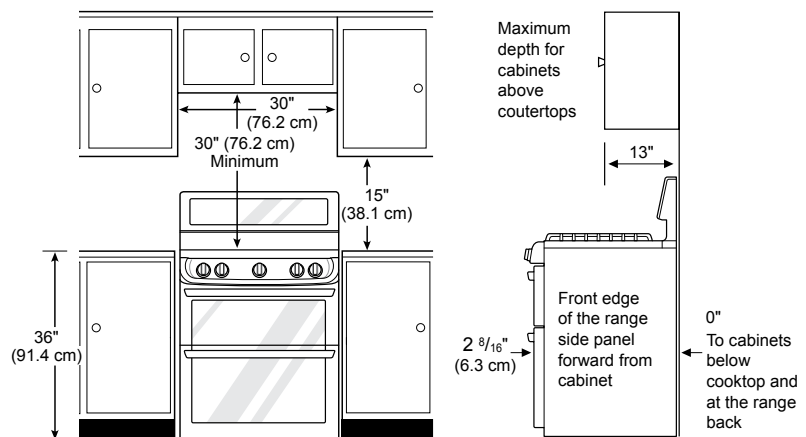
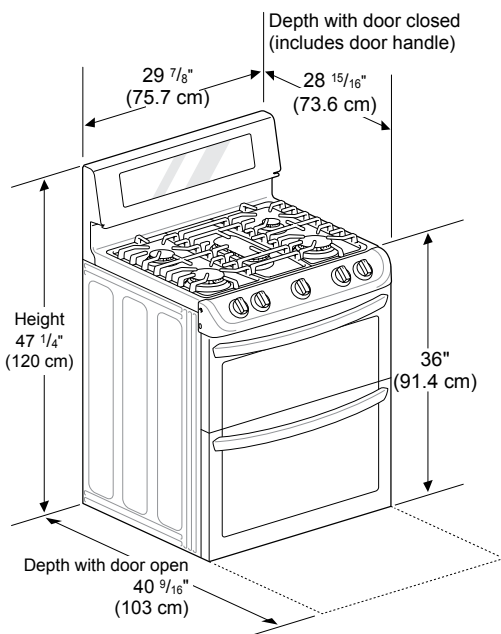
Product Dimensions (W x H x D w/Handle)	29 7/8" x 47 1/4" x 28 15/16"
Product Height to Cooking Surface	36"
Cutout Dimensions (W x H x D)	30" x 36" x 25"
Carton Dimensions (W x H x D)	31 1/2" x 51" x 30 1/2"
Approx. Weight (Product / Carton)	224.9 lbs. / 247 lbs.

LIMITED WARRANTY

Parts and Labor	1 Year
-----------------	--------

DIMENSIONS / CLEARANCES

Provide proper clearance between the range and adjacent combustible surfaces. These dimensions must be met for safe use of your range. The location of the electrical outlet and pipe opening may be adjusted to meet specific requirements. The range may be placed with 0" clearance (flush) at the back wall.



GAS PIPE AND ELECTRICAL OUTLET LOCATIONS

